

# Issue 11

November



## 641

### The Euratom Supply Agency

The large heavy lift derrick places the 1,200 ton CA01 module into the nuclear island of Vogtle Unit 3. Two Westinghouse AP1000 nuclear units with approx. 1,117 MW each are currently under construction at the Vogtle site, Burke County, Georgia, in the south-eastern United States. Commissioning is expected for 2019 and 2020, respectively. (Courtesy: Georgia Power Company)

#### Editorial

Nuclear Energy for the Climate –  
Climate for Nuclear Energy . . . . . 631  
Kernenergie für's Klima –  
Klima für die Kernenergie . . . . . 632

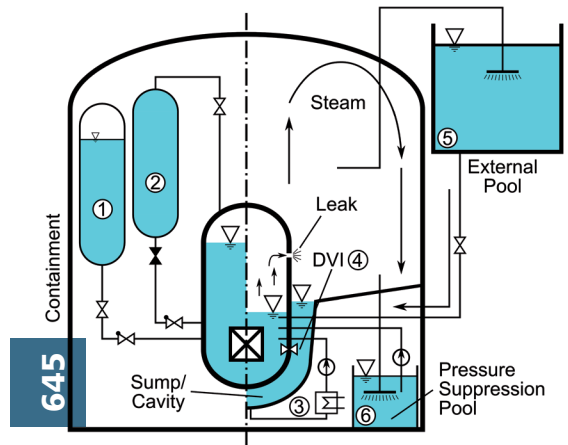
Abstracts | English . . . . . 636  
Abstracts | German . . . . . 637

#### Inside Nuclear with NucNet

Why Rosatom's Focus is on  
Emerging Markets. . . . . 638

NucNet

Calendar . . . . . 640



Systems for emergency core cooling.

Treaties
Policy

**1957 EURATOM Treaty – First Energy Treaty**  
addressing nuclear supply security

↓

**2010 LISBON Treaty (TFEU – Art. 194): Energy**  
In the context of the functioning of the internal market ..., **Union policy on energy shall aim, in a spirit of solidarity between Member States, to**

- a. Ensure the **functioning of the energy market**
- b. Ensure the **security of energy supply** in the Union
- ...

**641** ↓

**2014 EUROPEAN ENERGY SECURITY STRATEGY (EESS)**

Some main EU treaties related to energy since 1957.

#### Energy Policy, Economy and Law

The Euratom Supply Agency:  
A Small ENERGY UNION? . . . . . 641

Ute Blohm-Hieber

#### Spotlight on Nuclear Law

Draft Law on Never-ending Nuclear Liability –  
Unconstitutional Apparent Solution . . . . . 644  
Der Gesetzentwurf zur nuklearen Ewigkeitshaftung:  
Verfassungswidrige Scheinlösung . . . . . 644

Tobias Leidingner

**Operation and New Build**

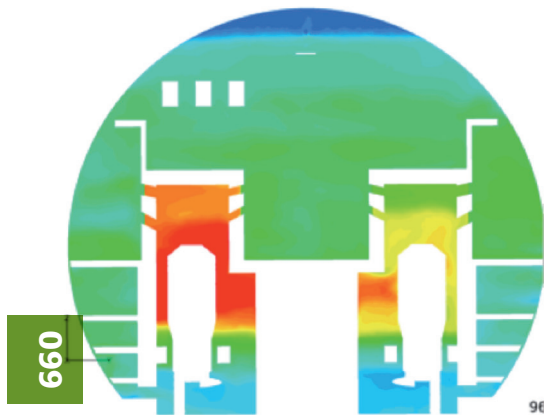
Safety and International Development of Small Modular Reactors (SMR) – A Study of GRS. . . . . 645

Sebastian Buchholz, Anne Krüssenberg and Andreas Schaffrath

Design Requirements of the Regulation Authority – Today and Tomorrow . . . . . 654

Auslegungsanforderungen der Behörde heute und morgen . . . . . 654

Georg Schwarz



Hydrogen streamlines colored with temperature, showing the chimney effect of the PARs.

**Environment and Safety**

The Role of CFD Computer Analyses in Hydrogen Safety Management . . . . . 660

Ed M.J. Komen, Dirk C. Visser, Ferry Roelofs and Jos G.T Te Lintelo



Neutron monitor FAMOS.

**Decommissioning and Waste Management**

Non-destructive Testing of Drums with Radioactive Waste . . . . . 666  
Zerstörungsfreie Analyse radioaktiver Abfallfässer . . . . . 666

Marina Sokcic-Kostic and Roland Schultheis

**AMNT 2015**

Key Topics | Outstanding Know-How & Sustainable Innovations | Enhanced Safety & Operation Excellence . . . . . 671

**CFD Simulations for Reactor Safety**

Relevant Objectives . . . . . 671

Andreas Schaffrath and Martina Scheuerer

Fuel Management During the Last Cycles and Beyond . . . . . 673

Carina Önneby and Ulf Benjaminsson

**KTG Inside . . . . . 674**

St. Alban 2	■	PWR	1 381	1 335	1987	Shika 2	■	BWR	1 358	1 300
St. Laurent B-1	■	PWR	956	915	1981	Shimane 1	■	BWR	460	431
St. Laurent B-2	■	PWR	956	915	1981	Shimane 2	■	BWR	820	79
Tricastin 1	■	PWR	955	915	1980	Takahama 1	■	BWR	826	78
Tricastin 2	■	PWR	955	915	1980	Takahama 2	■	PWR	826	78
Tricastin 3	■	PWR	955	915	1980	Takahama 3	■	PWR	870	83
Tricastin 4	■	PWR	955	915	1981	Takahama 4	■	PWR	870	83
Flamanville 3	□	PWR	1 600	1 510	(2018)	Tokai 2	■	BWR	1 100	1 066
<b>Germany</b>						Tomari 1	■	PWR	579	55
Brockdorf	■	PWR	1 480	1 410	1986	Tomari 2	■	PWR	579	55
Emsländ	■	PWR	1 406	1 335	1988	Tomari 3	■	PWR	912	86
Grafenrheinfeld	■	PWR	1 345	1 275	1982	Tsuruga 1	■	BWR	357	34
Grohnde	■	PWR	1 430	1 360	1985	Tsuruga 2	■	PWR	1 160	1 111
Gundremmingen B	■	BWR	1 244	1 284	1984	Shimane 3	□	BWR	1 275	1 22
Gundremmingen C	■	BWR	1 344	1 288	1985	Ohma	□	BWR	1 385	1 32
Isar 2	■	PWR	1 485	1 410	1986	<b>Korea (Republic)</b>				
Neckarwestheim II	■	PWR	1 400	1 310	1989	Kori 1	■	PWR	603	57
Philippsburg 2	■	PWR	1 468	1 402	1985	Kori 2	■	PWR	676	63
<b>Spain</b>						Kori 3	■	PWR	1 042	1 00
Paks 1	■	VVER-PWR	500	470	1983	Kori 4	■	PWR	1 041	1 00
Paks 2	■	VVER-PWR	500	473	1984	Shin Kori 1	■	PWR	1 048	99
Paks 3	■	VVER-PWR	500	473	1986	Shin Kori 2	■	PWR	1 045	99
Paks 4	■	VVER-PWR	500	473	1987	Hanul 1	■	PWR	1 003	96
<b>India</b>						Hanul 2	■	PWR	1 008	96
Kaiga 1	■	Candu (IND)	220	202	2001	Hanul 3	■	PWR	1 050	99
Kaiga 2	■	Candu (IND)	220	202	2001	Hanul 4	■	PWR	1 053	99
Kaiga 3	■	Candu (IND)	220	202	2007	Hanul 5	■	PWR	1 051	99
Kaiga 4	■	Candu (IND)	220	202	2010	Hanul 6	■	PWR	1 051	99
Kaiga 5	■	Candu (IND)	220	202	1993	Wolsong 1	■	PWR	687	64
Kaiga 6	■	Candu (IND)	220	202	1995	Wolsong 2	■	Candu	678	65
Kaiga 7	■	Candu (IND)	220	202	1999	Wolsong 3	■	Candu	698	67
Kaiga 8	■	Candu (IND)	220	205	1984	Wolsong 4	■	Candu	703	67
Kanakkam 1	■	Candu (IND)	220	205	1985	Shin Wolsong 1	■	PWR	1 042	99
Kanakkam 2	■	Candu (IND)	220	202	1992	Hanbit 1	■	PWR	996	95
Madhav 1	■	Candu (IND)	200	202	1991	Hanbit 2	■	PWR	993	94
Rajasthan 1	■	Candu (IND)	100	90	1973	Hanbit 3	■	PWR	1 050	99
Rajasthan 2	■	Candu	200	187	1981	Hanbit 4	■	PWR	1 049	99
Rajasthan 3	■	Candu (IND)	220	202	1999	Hanbit 5	■	PWR	1 053	99

Nuclear power plant units worldwide on 31 December 2014.

**Statistics**

Nuclear Power Plants: 2014 atw Compact Statistics . . . . . 677

Editorial

**60<sup>th</sup> year atw**

OECD-Nuclear Energy Agency 25 Years of International Cooperation within the Framework of the NEA . . . . . 682  
OECD-Kernenergieagentur 25 Jahre internationale Zusammenarbeit im Rahmen der NEA. . . . . 685

Klaus B. Stadie

**News . . . . . 689**

**Nuclear Today**

China-UK Partnership May Change Dynamics of Nuclear Development in Europe . . . . . 694

John Shepherd

Imprint . . . . . 639